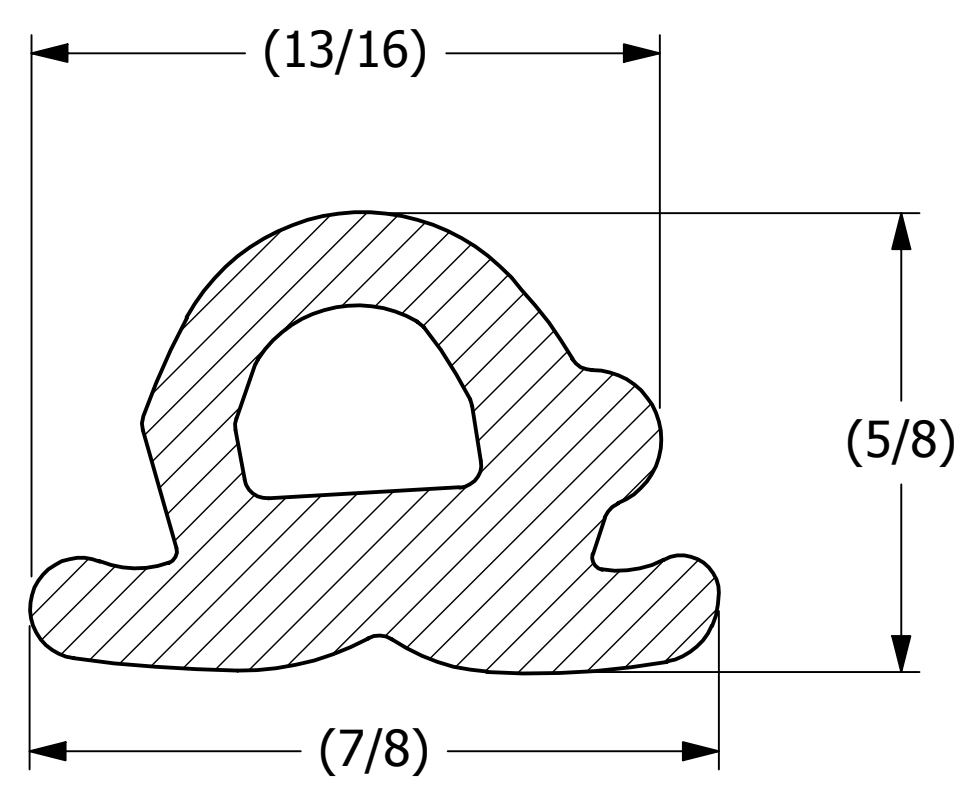


SALES DRAWING

SALES DRAWING



SECTION A-A
SCALE 4:1

(Ø21 5/8)

(Ø19 13/16)

B	DGP	05-13-13	UPDATED DRAWING PER VENDOR DRAWING ADDED SHEET 2.
A	CHL	6-1-05	UPDATED MATERIAL DESCRIPTION
REV	BY	DATE	DESCRIPTION

<small>UNLESS OTHERWISE SPECIFIED DIMENSIONAL TOLERANCES FRACTIONAL: ±1/16 X.XX: ±.03 X.XXX: ±.015 ANGLE: ±1° DEBURR ALL SHARP EDGES. ALL MACHINED SURFACES TO HAVE A 125 RMS FINISH UNLESS NOTED OTHERWISE.</small>	DRAWN BY:	MRC
	CHECKED BY:	SB
	PROTOTYPE BY:	MRC
	PROTOTYPE DATE:	10/22/1997
	APPROVED FOR PRODUCTION BY:	
THIRD ANGLE PROJECTION	PRODUCTION DATE:	

SALCO PRODUCTS, INC.		
PART NAME: AIRSLIDE HATCH COVER GASKET 20"		
MATERIAL: FDA WHITE NEOPRENE		
PROJECT #: 970724	SHEET #: 1 OF 1	SCALE: 1:2
DRAWING #: C9033	PART #: AHCG20WN	

THIS PRINT, PROPERTY OF SALCO PRODUCTS INC., CONTAINS PROPRIETARY INFORMATION AND MUST NOT BE COPIED, REPRODUCED, OR USED DETRIMENTALLY TO OUR INTEREST.